

Avaya P333T

Quick Start Guide



Unpack

1

Rack mount (optional)

2

Power up

3

Connect the cables

4

Configure

5

Run Web-based
Manager (optional)

6

AVAYA

1

Unpack

Check the package contents for the following:

- ⓘ If any items are missing or damaged, contact your supplier.

Equipment

- One Avaya P333T Layer 2 Workgroup Switch
- One AC power cable
- One RJ-45 to DB-9 serial adapter cable
- Four rubber feet
- Four screws with washers for rack mounting
- ⓘ Ethernet connection cables are not supplied

Documentation

- Avaya P333T Quick Start Guide (this document)
- Avaya P330 Release Notes
- Avaya P330 Documentation and Utilities CD (see detail below)
- Avaya Communication Warranty and License Agreement

Avaya P330 Documentation and Utilities CD

The CD contains the latest User's Guides for the Avaya P330 stackable switches and files for use with the Embedded Web Manager.

User's Guides

You can view and print these Guides using Adobe® Acrobat® Reader.

Auxiliary Files for use with the Embedded Web Manager

Please refer to the documentation for information on how to use these files.

- Java plug-in
- Help files

Adobe Acrobat Reader

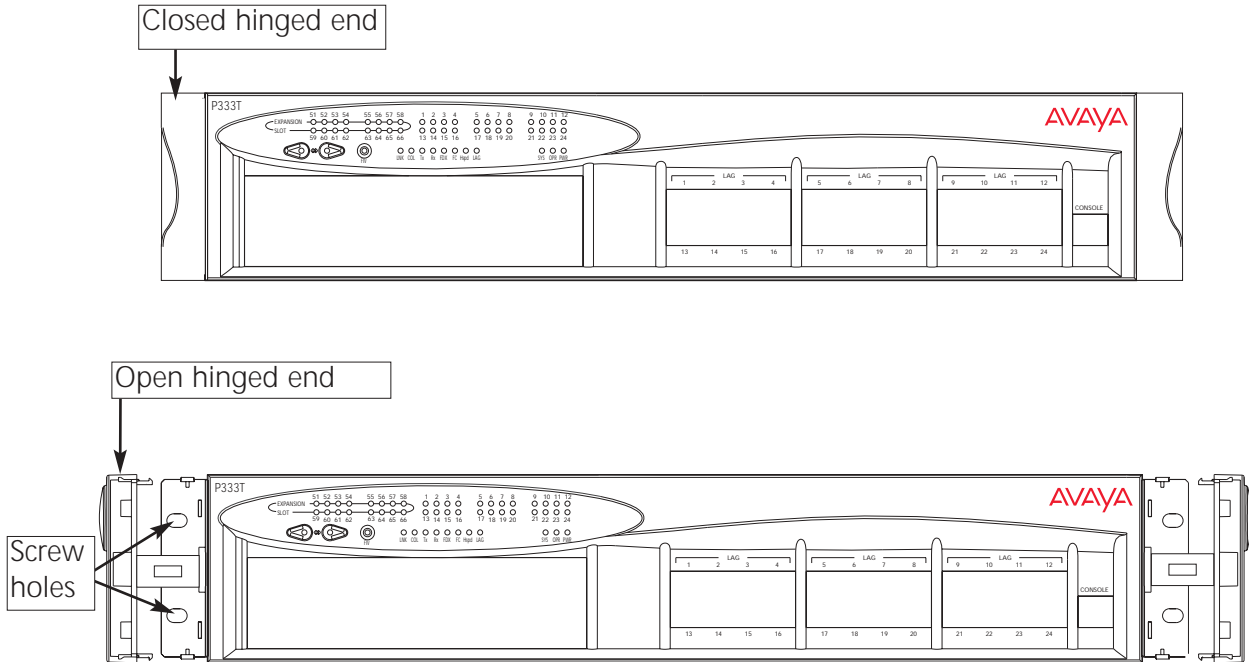
This application allows you to view and print the User's Guides on this CD.

Rack mount (optional)



WARNING: Disconnect all cables from the unit before proceeding with the rack installation.

1. Snap open the hinged ends of the unit's front panel to reveal the screw holes.

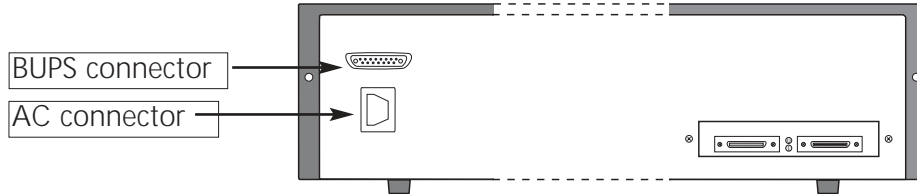


2. Position the unit in the rack.
3. Secure the unit to the rack, taking care not to overtighten the screws.
4. Snap closed the hinged ends of the front panel.
 - ⓘ You can now safely connect the cables to the unit.

Power up

Avaya P330 AC Version

1. Insert the power cord into the power connector (BUPS or Power Supply) on the rear of the unit.



2. Insert the other end of the power cord into the electricity supply or the BUPS connector.
 - ▶ The unit powers up and performs a self test procedure. The LEDs flash at regular intervals after the self-test procedure is completed successfully.

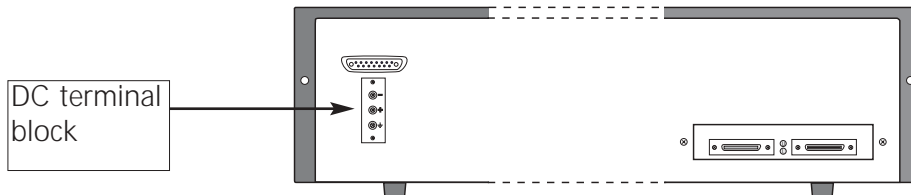
3

Avaya P330 DC Version



WARNING: Before performing any of the following procedures, ensure that DC power is OFF.

CAUTION: This product is intended for installation in restricted access areas and is approved for use with 18 AWG copper conductors only. The installation must comply with all applicable codes.



1. Connect the power cable to the switch at the input terminal block on the rear of the unit.
 - ① The terminals are marked “+”, “-“ and the IEC 5019a Ground symbol.
 - ① The size of the three screws in the terminal block is M3.5.
 - ① The pitch between each screw is 9.5mm.
2. Attach the appropriate lugs at the wire end of the power supply cord.
3. Wire the DC power supply to the terminal block.
 - ▶ The unit powers up and performs a self test procedure. The LEDs flash at regular intervals after the self-test procedure is completed successfully.



WARNING: The proper wiring sequence is:

- ground to ground
- positive to positive
- negative to negative

Always connect the ground wire first and disconnect it last.

Connect the cables

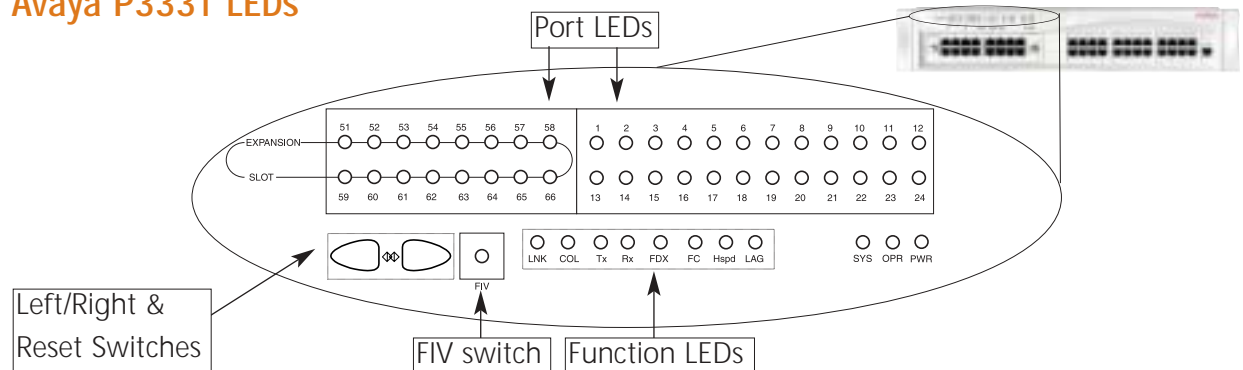
Connect PCs, servers, routers, workstations, and hubs

1. Connect the Ethernet connection cable (not supplied) to a 10/100 Mbps port on the front panel of the Avaya P330.
 - ① You should use standard RJ-45 connections. You must use CAT-5 cable for 100 Mbps operation.
2. Connect the other end of the cable to the Ethernet port of the PC, server, router, workstation, switch or hub.
 - ① Use a cross cable when connecting the Avaya P330 to a switch or hub.
3. Check that the appropriate link (LNK) LEDs light up.

Connect the console cable

1. Configure the serial port settings of the PC or terminal as follows: Baud Rate – 9600, Parity – no, Data bits – 8, Stop bits – 1, Flow control – no.
2. Connect the supplied special RJ-45 connector to the port marked “Console” on the front panel of the Avaya P330.
3. Connect the other end of the cable to a terminal or PC with terminal emulation software installed.

Avaya P333T LEDs



FIV – Force Initial Version (see Avaya P330 User’s Guide)

LNK – When ON, link is OK

COL – When ON, indicates a collision on the port in HDX mode

Tx, Rx – Shows traffic activity for transmitted and received packets

FDX – Shows Full/Half Duplex mode

FC – When ON, Flow Control is enabled for a port in FDX mode

Hspd – Shows speed of port (10 Mbps or 100/1000 Mbps)

LAG – When ON, the port is included in a Link Aggregation Group (LAG).

ROUT – Shows switch’s mode of operation

SYS – Shows whether this module is the Avaya P330 Stack Master agent

OPR – Shows CPU boot status

PWR – Shows when power is on

Basic configuration

To connect a PC terminal or VT-100 terminal to the Avaya P330

1. If you are using a PC, initiate a VT-100 terminal emulation session using an application such as Windows® HyperTerminal.
2. Press Enter.
3. Type the User name `root` when prompted and press Enter.
4. Type the default password `root` when prompted and press Enter.
 - ▶ The `P330-N(super)#` prompt appears.
 - ① `N` is the number of the switch in the stack.

Assigning the Stack IP Address

① Commands are shown as follows: `set interface inband;`
parameters which you need to enter are shown in `<>` as follows: `<vlan>`

1. Type `set interface inband <vlan> <ip_address> <netmask>` replacing `<vlan>`, `<ip_address>` and `<netmask>` with the VLAN, IP address and net mask of the stack and press Enter.
2. At the `P330-N(super)#` prompt, type `reset` and press Enter to reset the stack.
3. After the Reset, perform login again as described above.
 - ▶ The `P330-N(super)#` prompt appears.
4. Type `set ip route <destination> <gateway>`, replacing `<destination>` and `<gateway>` with the destination and gateway IP addresses.
5. Press Enter to save the destination and gateway IP addresses.

Setting the Parameters

If you wish to change the default parameters shown and configure the mandatory parameters, we recommend that you use the Command Line Interface (CLI).

① For further information, please refer to Chapter 6 of the Avaya P330 User's Guide.

Default Switch Parameters

Configuration Parameter	Default Setting
Avaya P330 IP Address	149.49.32.134
BootP Mode	Never
Default Gateway	0.0.0.0
Management PC SLIP IP Address	192.168.10.2
VLAN Management ID	1
Spanning Tree	Enabled
TFTP Mode	Limited
TFTP Server	0.0.0.0
TFTP File Name	viisa

Default Port Parameters

Configuration Parameter	Default Setting
Port Speed and Duplex Mode	<ul style="list-style-type: none">• 10/100-TX ports: Auto-negotiation• 100Base-FX ports: 100 Mbps full duplex• 1000Base-X ports: 1000 Mbps full duplex
Flow Control	<ul style="list-style-type: none">• 10/100 and 100 Mbps: Disabled• 1000 Mbps: Disabled (no pause)
Backpressure	<ul style="list-style-type: none">• 10/100: Enabled (when in half duplex mode)• 100Base-FX & 1000 Mbps: Not applicable
Auto-negotiation	<ul style="list-style-type: none">• 10/100-TX ports: Enabled• 100Base-FX ports: Not applicable• 1000Base-X ports: Enabled
Administration State	Enabled
Port VLAN ID	1
Tagging Mode	Clear
Port Priority	Regular

Run the Web-Based Manager (optional)

- ① To configure the Avaya P330 you can use the P330 Web-based Manager in addition to using the CLI.

System Requirements

Minimum hardware and Operating System requirements are:

- Pentium® II 400 Mhz-based computer with 128 Mb of RAM
- Screen resolution of 1024 x 768 pixels
- Microsoft® Internet Explorer® 5 or Netscape Navigator® 4.x
- Windows® 95, NT® 4.0 (server/workstation) or Windows 2000 (server/workstation)
- Sun Microsystems Java™ plug-in version 1.2.2 (supplied)

Running the Embedded Manager

- ① Assign an IP address to the P330 before starting this procedure.

1. Open your browser.
2. Enter the URL of the switch in the form `http://aaa.bbb.ccc.ddd`

- ① `aaa.bbb.ccc.ddd` is the IP address of the switch.

▶ You are prompted to log into the switch.

- ① The user name is “root”.

The default password for read-write access is “root”.

- ① The Web management passwords are the same as those of the CLI. If you have created additional CLI user names or changed the default passwords then you can use those passwords for Web management as well.

▶ The welcome page is displayed:



① If the network manager has configured the system the plug-in should be installed automatically.

If the plug-in is not installed automatically, there are three ways to install the plug-in manually:

- **Either** install the plug-in from the CD as follows:
 1. Close all unnecessary applications on your PC.
 2. Insert the “Avaya P330 Documentation and Utilities” CD in the CD drive.
 3. Click Start on the Task bar.
 4. Select Run.
 5. Type `x:\emweb-aux-files\plugin_1_2_2.exe` (where `x:` is the CD drive letter)
 6. Follow the on-screen instructions.
- **Or** install the plug-in from the Avaya site by clicking on the link on the welcome page.
- **Or**, if the network manager has placed the files on the local site, install the plug-in from there by clicking the link on the welcome page.
- ▶ If you have the Java plug-in already installed or once you have successfully installed the plug-in as described above, the Web-based manager opens in your browser.



Documentation and Online Help

Refer to the Avaya P330 Documentation and Utilities CD for full instructions.



Notes

Contact Information

To contact Avaya technical support:

From the United States:

Please call 1-800-237-0016, press 0, then press 73300.

From outside the United States:

EMEA (Europe, Middle East and Africa). Email: csctechnical@avaya.com

Country	Local Dial-In Number	Country	Local Dial-In Number	Country	Local Dial-In Number
Albania	+31 70 414 8001	Ireland	+353 160 58 479	Qatar	+31 70 414 8059
Austria	+43 1 36 0277 1000	Israel	+1 800 93 00 900	Portugal	+351 21 318 0047
Azerbaijan	+31 70 414 8047	Italy	+39 02 7541 9636	Romania	+31 70 414 8027
Bahrain	+800 610	Jordan	+31 70 414 8045	Russia	+7-095-733-9055
Belgium	+32 2 626 8420	Kazakhstan	+31 70 414 8020	Saudi Arabia	+31 70 414 8022
Belorussia	+31 70 414 8047	Kenya	+31 70 414 8049	Slovakia	+31 70 414 8066
Bosnia Herzegovina	+31 70 414 8042	Kuwait	+31 70 414 8052	Slovenia	+31 70 414 8040
Bulgaria	+31 70 414 8004	Latvia	+371 721 4368	South Africa	+0800 995 059
Croatia	+31 70 414 8039	Lebanon	+31 70 414 8053	Spain	+34 91 375 3023
Cyprus	+31 70 414 8005	Lithuania	+370 2 756 800	Sweden	+46 851 992 080
Czech Rep.	+31 70 414 8006	Luxemburg	+352 29 6969 5624	Switzerland	+41 22 827 8741
Denmark	+45 8233 2807	Macedonia	+31 70 414 8041	Tanzania	+31 70 414 8060
Egypt	+31 70 414 8008	Malta	+31 70 414 8022	Tunisia	+31 70 414 8069
Estonia	+372 6604736	Mauritius	+31 70 414 8054	Turkey	+800 4491 3919
Finland	+358 981 710 081	Morocco	+31 70 414 8055	Uganda	+31 70 414 8061
France	+33 1 4993 9009	Netherlands	+31 70 414 8023	Ukraine	+31 70 414 8035
Germany	+49 69 95307 680	Nigeria	+31 70 414 8056	UAE	+31 70 414 8036
Ghana	+31 70 414 8044	Norway	+47 235 001 00	UK	+44 0207 5195000
Gibraltar	+31 70 414 8013	Oman	+31 70 414 8057	Uzbekistan	+31 70 414 8046
Greece	+00800 3122 1288	Pakistan	+31 70 414 8058	Yemen	+31 70 414 8062
Hungary	+06800 13839	Poland	+0800 311 1273	Yugoslavia	+31 70 414 8038
Iceland	+0800 8125			Zimbabwe	+31 70 414 8063

AP (Asia Pacific). Email: sgcoe@avaya.com

Country	Local Dial-In Number	Country	Local Dial-In Number	Country	Local Dial-In Number
Australia	+1800 255 233	Korea	+0 80 766 2580	Philippines	+1800 1888 7798
Hong Kong	+2506 5451	Malaysia	+1800 880 227	Singapore	+1800 872 8717
Indonesia	+800 1 225 227	New Zealand	+00 800 9828 9828	Taiwan	+0 80 025 227
Japan	+0 120 766 227				

CALA (Caribbean and Latin America). Email: caladatasupp@avaya.com

Hot Line: +1 720 4449 998

Fax: +1 720 444 9103

① For updated information, visit www.avayanetwork.com, and click “Global Support Organization (GSO)”.

avaya.com

All trademarks, registered trademarks, service names, product and/or brand names are the sole property of their respective owners.

Copyright © 2001 Avaya Inc. All rights reserved.

Catalog No. 223555 Rev. B.

October 2001